



The BT Lifter Silent is designed to generate a minimum of noise when moving loads in all types of applications. Lifting capacity is 2300 kg. The BT Lifter Silent is available in different versions and options.

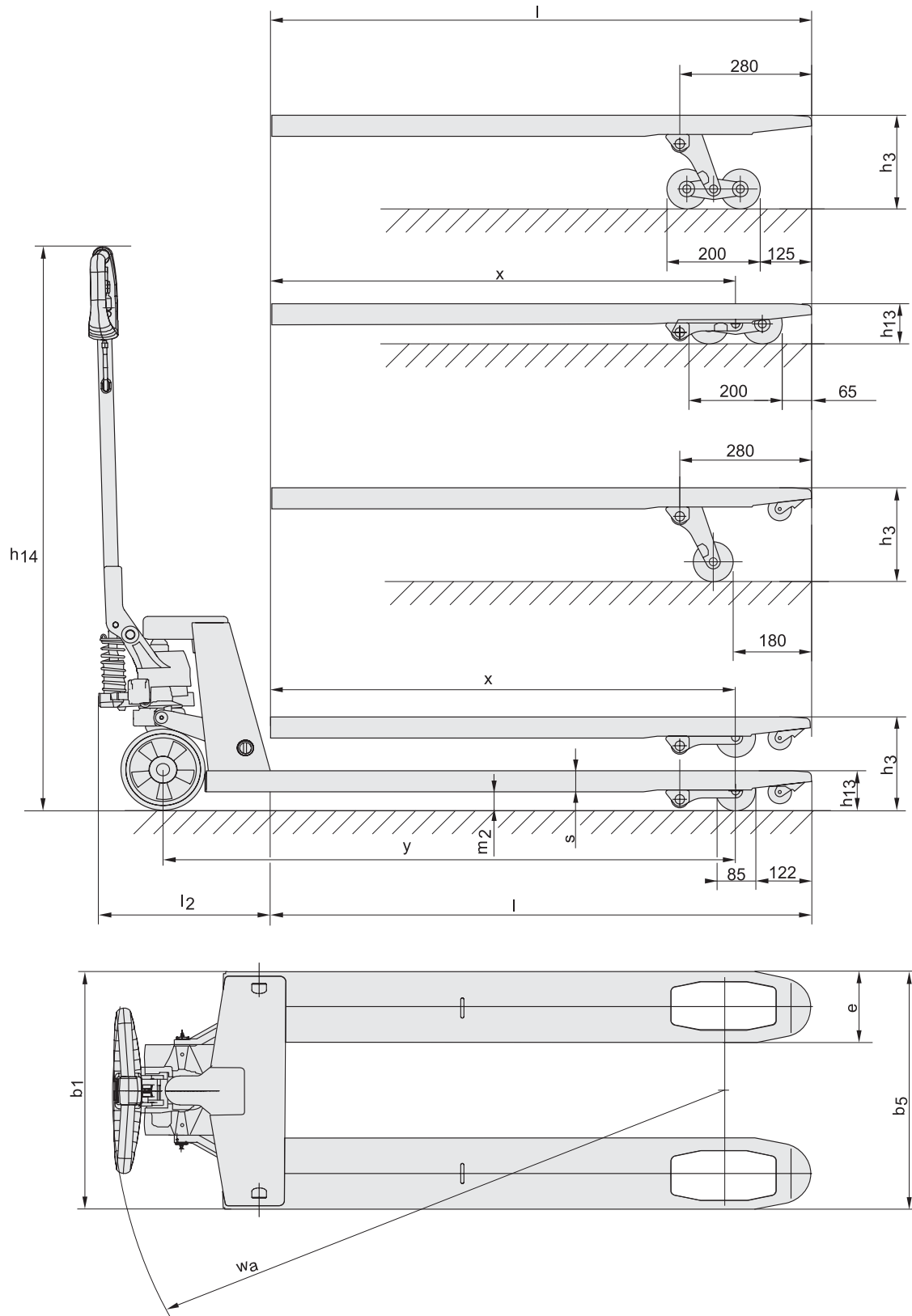


Technical Details		LHM230SI
Rated capacity	kg	2300
Weight	kg	63
Steer wheels	mm	Ø 175x60
Fork wheels, single/bogie	mm	Ø 85x100/Ø 85x75
Pump force, rated capacity	kg	34
Pulling force		29 <sup>1)</sup>

Dimensions, mm		LHM230SI
x	Front axle to fork face	985
y	Wheel base	1210
h <sub>3</sub>	Lift height	200
h <sub>13</sub>	Height of lowered fork	85
h <sub>14</sub>	Height of handle in neutral pos.	1220
l <sub>2</sub>	Truck length incl. back of fork	365
b <sub>1</sub>	Chassis, width	520/685
s	Fork thickness	45
e	Fork width	156
l	Fork length	910/1000/1150/1220
b <sub>5</sub>	Width across fork	520/685
m <sub>2</sub>	Floor clearance mid wheelbase	40
A <sub>st</sub>	Aisle width, min (Pallet 800x1200 mm)	1756
W <sub>a</sub>	Turning radius	1392

1) With rated capacity on a smooth, dry level concrete floor

BT Lifter Silent variants certified according to Peak-program	
<b>Quick (Q)</b>	
<ul style="list-style-type: none"> <li>● The forks reach the pallet with the first pump stroke and lift the pallet with the second.</li> <li>● For customer applications calling for high volumes of pallet movements every day.</li> <li>● Possible as an option for LHM230SI.</li> </ul>	
<b>Overload (O)</b>	<b>Quick overload (QO)</b>
<ul style="list-style-type: none"> <li>● Pre-set limitation of the weight that can be lifted.</li> <li>● Protects the truck and floors from being overloaded.</li> <li>● Possible as option for LHM230SI.</li> </ul>	<ul style="list-style-type: none"> <li>● Quick lift and overload can be combined.</li> <li>● Possible as option for LHM230SI.</li> </ul>
BT Lifter Silent variants not certified according to Peak-program	
<b>Hand brake (X)</b>	<b>Accessories</b>
<ul style="list-style-type: none"> <li>● Hand-operated braking.</li> <li>● Identical braking power on both steering wheels.</li> <li>● Can be locked in parked position.</li> <li>● Possible as option for LHM230SI.</li> </ul>	<ul style="list-style-type: none"> <li>● Load support</li> <li>● Parking brake</li> <li>● Cold store oil (for standard pump)</li> <li>● Other colours are available (RAL)</li> <li>● Available on request: conveyor, tow train, own logotype imprint.</li> </ul>
Pro Lifter	
<ul style="list-style-type: none"> <li>● Helps you get the hand pallet truck started.</li> <li>● The required force to get it moving is reduced by two thirds.</li> <li>● Smooth driving over uneven surfaces and thresholds and easy positioning of heavy loads.</li> <li>● Data: see separate LHM230P Product Information sheet.</li> </ul>	





- The BT Lifter Silent generates a maximum noise level of 60dBA according to the testing guidelines of the Dutch PEAK programme, and is therefore certified accordingly.
- Recommended and certified truck specification for silent operation:
  - Chassis with noise reducing material and rubber studs/bushings.
  - Steer wheels in rubber and bogie fork wheels in Powerthane.
- The BT Lifter Silent can be equipped with Quick lift and/or overload pumps.
- Strong, powerful thrust bearing is standard, for easier steering and enhanced durability.
- BT lowering control valve enables smooth, controlled lowering action.
- Strong and robust connection between tow bar and pump.
- Angled high strength polymer handle for best ergonomic grip.
- Greasable bushings ensure a long service life.
- Powder coating and robot welding give a high and even finish.
- BT's unique LifeTime Guarantee, giving a 99-year guarantee on the fork frame, valid for defects in materials and welding faults which can be derived from manufacturing. The guarantee on the pump unit and the tow bar is five years.
- This product has been environmentally declared. A Separate information sheet is available.

Truck features	LHM230SI
Choice of chassis widths	S
Choice of fork lengths	S
Climber wheels	O
Bogie fork wheels	S
Controls and instruments	
Tiller arm steering	S
Driving features	
180° steering	S
Maintenance features	
Lubrication points	S

S = Standard feature

O = Optional feature

— = Not available

