

SSE135/SSE135L

SSE160/SSE160L



The Stratos SSE machines have been developed for applications where it may be desirable for the operator to work in a fully enclosed cab, while maintaining a standing position for speed and flexibility. The trucks offer a capacity of 1350 and 1600 kg and a maximum lift height of 6.3 m.



Technical Details		SSE135/SSE135L	SSE160/SSE160L
Power unit		electrical, battery	electrical, battery
Operating type		stand on	stand on
Rated capacity	kg	1350	1600
Load centre	mm	600	600
Max. axle load castor/drive wheels			
without load	kg	430/580 <sup>1)</sup>	615/770 <sup>2)</sup>
with rated load	kg	475/680 <sup>1)</sup>	640/795 <sup>2)</sup>
Max. axle load supp.wheels			
without load	kg	410 <sup>1)</sup>	730 <sup>2)</sup>
with rated load	kg	1600 <sup>1)</sup>	2230 <sup>2)</sup>
Wheel type, front/rear		polyurethane	polyurethane
dimension, front/rear	mm	Ø 85/250	Ø 85/250
Travel speed, without/with rated load		9,0/7,6	9,0/7,6
Lift speed, without/with rated load		0,30/0,20	0,25/0,15
Lowering speed, without/with rated load		0,30/0,45	0,40/0,46
Gradient, without/with rated load		16/8	12/6
Service brake		electric	electric
Parking brake		Autom. electr.	Autom. electr.
Drive motor/Intermittent rating	kW/%	1,8/60	1,8/60
Lift motor/Intermittent rating	kW/%	5,0/20	5,0/20
Steering system		electronic	electronic
Speed control, number of steps		transistor, stepless	transistor, stepless
Number of steering wheel turnings		endless	endless

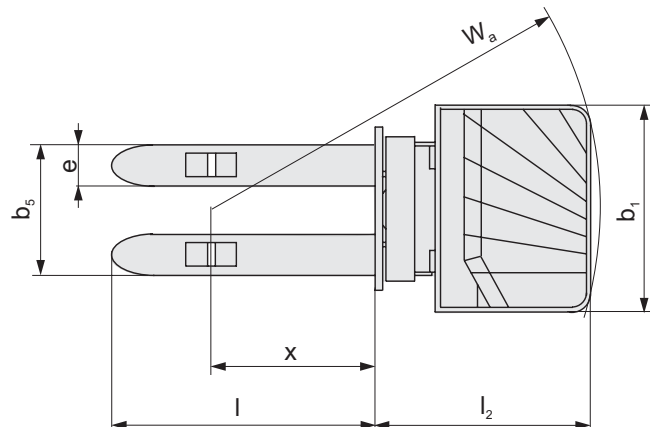
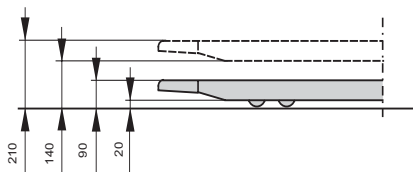
1) SSE135, h<sub>3</sub> 3350, battery 300 Ah

2) SSE160L, h<sub>3</sub> 6300, battery 360 Ah

Dimensions, mm		SSE135	SSE135L	SSE160	SSE160L
x	Front axle to fork front face Duplex/Triplex	827/809	830/812	782/782	785/785
h <sub>6</sub>	Height of truck	2290	2290	2290	2290
h <sub>7</sub>	Instep height	245	245	245	245
h <sub>13</sub>	Height of lowered fork	90	90	90	90
l <sub>2</sub>	Truck length incl. back of fork short chassis, Duplex/Triplex long chassis, Duplex/Triplex	919/938 1033/1052	960/979 1074/1093	— 1079/1079	— 1120/1120
b <sub>1</sub>	Chassis, width Width with stabilizers	900 940	945 1040	900 940	945 1040
e	Fork width	180	180	180	180
l	Fork length	1150	1150	1150	1150
b <sub>5</sub>	Width across fork	570	570	570	570
m <sub>1</sub>	Floor clearance	28	28	28	28
W <sub>a</sub>	Turning radius short chassis long chassis	1785 1898	1829 1941	— 1898	— 1941
A <sub>st</sub>	Aisle width short chassis, Duplex/Triplex long chassis, Duplex/Triplex	2532/2544 2645/2657	2573/2586 2685/2698	— 2677/2677	— 2717/2717

Truck performance and dimensions are nominal and subject to tolerances.  
BT Products AB products and specifications are subject to change without notice.  
All data is based on VDI 2198.

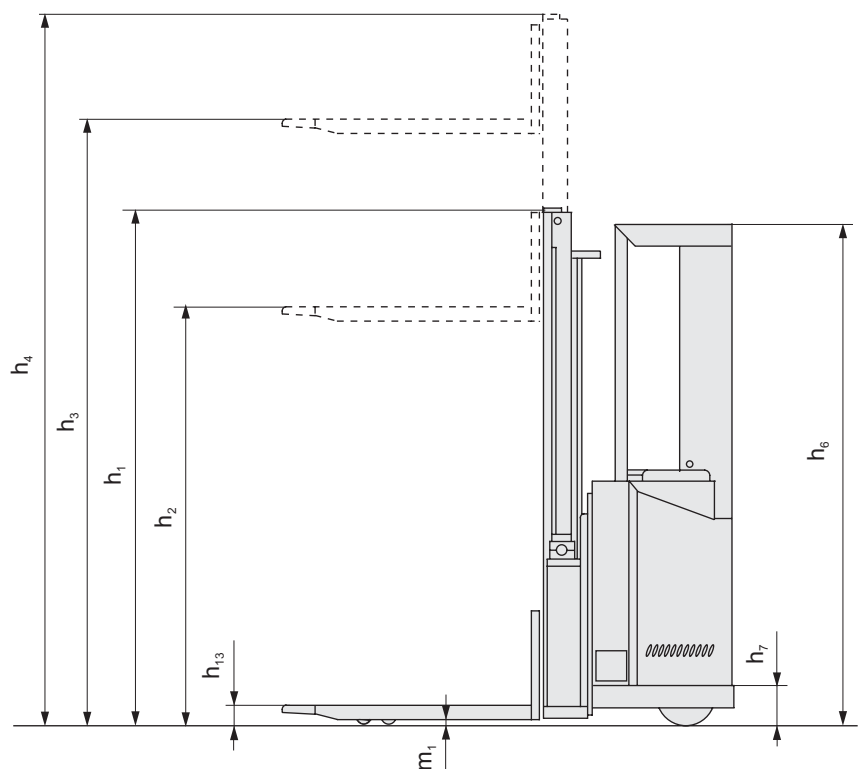
### SSE135L/SSE160L



Mast			SSE135/SSE135L								
$h_3$	Lift height	mm	2800	2900	3350	3750	4150	4150	4500	4800	5400
<b>Duplex Tele</b>											
$h_1$	Height of mast, min. <sup>1)</sup>	mm	1937		2212	2422	2622				
$h_2$	Free lift	mm	—		—	—	—				
$h_4$	Height of mast, max. <sup>1)</sup>	mm	3317		3867	4277	4677				
<b>Duplex Hi-Lo</b>											
$h_1$	Height of mast, min. <sup>1)</sup>	mm		1987	2212	2422	2622				
$h_2$	Free lift	mm		1518	1743	1943	2143				
$h_4$	Height of mast, max. <sup>1)</sup>	mm		3417	3867	4277	4677				
<b>Triplex Hi-Lo</b>											
$h_1$	Height of mast, min. <sup>1)</sup>	mm						1948	2065	2165	2365
$h_2$	Free lift	mm						1476	1592	1692	1892
$h_4$	Height of mast, max. <sup>1)</sup>	mm						4670	5021	5321	5921
	Weight without battery <sup>2)</sup>	kg	1230	1255	1290	1315	1375	1405	1445	1465	1520
	Battery (5h discharge), min./max.	V/Ah	24/300—600								
	Battery weight, min./max.	kg	250—530								

Mast			SSE160/SSE160L								
$h_3$	Lift height	mm	2900	3350	3750	4150	4400	4800	5400	5700	6300
<b>Duplex Tele</b>											
$h_1$	Height of mast, min. <sup>1)</sup>	mm	2013	2238	2438	2638					
$h_2$	Free lift	mm	—	—	—	—					
$h_4$	Height of mast, max. <sup>1)</sup>	mm	3443	3893	4293	4693					
<b>Duplex Hi-Lo</b>											
$h_1$	Height of mast, min. <sup>1)</sup>	mm	2013	2238	2438	2638					
$h_2$	Free lift	mm	1518	1743	1943	2143					
$h_4$	Height of mast, max. <sup>1)</sup>	mm	3443	3893	4293	4693					
<b>Triplex Hi-Lo</b>											
$h_1$	Height of mast, min. <sup>1)</sup>	mm					2075	2208	2408	2508	2708
$h_2$	Free lift	mm					1465	1598	1798	1898	2098
$h_4$	Height of mast, max. <sup>1)</sup>	mm					5058	5458	6058	6358	6958
	Weight without battery	kg	1230	1255	1290	1315	1375	1405	1445	1465	1520
	Battery (5h discharge), min./max.	V/Ah	24/360—600								
	Battery weight, min./max.	kg	370—530								

1) Mast height +120 mm with raised support arms





- Transversely standing driver gives the best and most comfortable driving position in both directions of travel.
- Clear view mast and overhead guard enables safe load handling at all heights. The visibility window also ensures excellent visibility in pallet transport.
- Two pallet handling. Two separate loads may be carried at the same time — 675kg on the support arms, 675kg on the fork (SSE135L) — 800kg on the support arms, 800kg on the fork (SSE160L). Lift height is then maximized to 1200mm.
- The battery is standing on rollers with a built in battery table, allowing easy access for inspection and also facilitating fast sideways battery change.
- Programmable performance — acceleration rate, maximum travel speed and steering sensitivity.

Truck features	SSE135	SSE135L	SSE160	SSE160L
Bogie fork wheels	S	S	S	S
Double pallet handling	—	S	—	S
Elevating support arms	—	S	—	S
Controls and instruments				
Fingertip controls	S	S	S	S
Hour meter	S	S	S	S
Power/Electronic steering	S	S	S	S
Driving features				
Electronic braking system	S	S	S	S
Electronic speed control	S	S	S	S
Safety features				
Automatic parking brake	S	S	S	S
Clear-view mast	S	S	S	S
Driver detection system	S	S	S	S
Emergency cut-off	S	S	S	S
Load support	O	O	O	O
Drivers compartment features				
Low step-in	S	S	S	S
Maintenance features				
Easy access for maintenance	S	S	S	S
Fault diagnosis facility	S	S	S	S
History fault log	S	S	S	S
Battery management features				
Battery status indicator	S	S	S	S
Sideways battery change	S	S	S	S
Heavy duty battery compartments	O	O	O	O

S = Standard feature

O = Optional feature

— = Not available