

BT Staxio

SWE080L



Pedestrian Stacker with elevating support arms

BT Staxio

Specification for stacker trucks					SWE080L	
Identification	1.1	Manufacturer			BT	
	1.2	Model			SWE080L	
	1.3	Drive			Electric	
	1.4	Operator type			Pedestrian	
	1.5	Load capacity/rated load	Q	kg	800	
		Support arm capacity/fork and support arm capacity	Q	kg	2000/—	
	1.6	Load centre	c	mm	600	
	1.8	Load distance, centre of support arm wheel to face of forks	x	mm	815	
	1.9	Wheelbase	y	mm	1293	
Weight	2.1	Service weight including battery		kg	679	
	2.2	Axle load, with load, drive/castor/fork wheel		kg	525/150/830	
	2.3	Axle load, without load, drive/castor/fork wheel		kg	375/150/180	
Wheels	3.1	Drive/castor/fork wheel			Powerfriction/Vulkollan/Vulkollan *)	
	3.2	Wheel size, front		mm	Ø85x74	
	3.3	Wheel size, rear		mm	Ø230x70	
	3.4	Additional wheels (dimensions)		mm	Ø125x50	
	3.5	Wheels, number front/rear (x=driven wheels)			4/1x+2	
	3.6	Track width, front	b ₁₀	mm	390	
	3.7	Track width, rear	b ₁₁	mm	430	
Dimensions	4.2	Height, mast lowered	h ₁	mm	1863 *)	
	4.3	Free lift	h ₂	mm	1580 *)	
	4.4	Lift	h ₃	mm	1490 *)	
		Lift height	h ₂₃	mm	1580 *)	
	4.5	Height, mast extended	h ₄	mm	1863 *)	
	4.6	Initial lift	h ₅	mm	120	
	4.9	Height of tiller in drive position, min./max.	h ₁₄	mm	865/1235	
	4.15	Height, fork lowered	h ₁₃	mm	90	
	4.19	Overall length	l ₁	mm	1777	
	4.20	Length to face of forks	l ₂	mm	627	
	4.21	Overall width	b ₁	mm	726	
	4.22	Fork dimensions	s/e/l	mm	60/180/1150 *)	
	4.24	Fork-carriage width	b ₃	mm	674	
	4.25	Width over forks	b ₅	mm	570 *)	
	Performance data	5.1	Travel speed, with/without load		km/h	6/6
5.2		Lift speed, with/without load		m/s	0.14/0.21	
5.3		Lowering speed, with/without load		m/s	0.29/0.20	
5.8		Max. gradeability, with/without load		%	9/18 ¹⁾	
5.10		Service brake			Electromagnetic	
Electric motor		6.1	Drive motor rating S2 60 min		kW	1.0
		6.2	Lift motor rating at S3 15%		kW	2.0 ²⁾
	6.4	Battery voltage/nominal capacity K _s		V/Ah	2x12/2x180 *)	
	6.5	Battery weight		kg	2x92 *)	
Others	8.1	Type of drive control			BT Powerdrive	

¹⁾ Measured according to company standard

²⁾ S3 7%

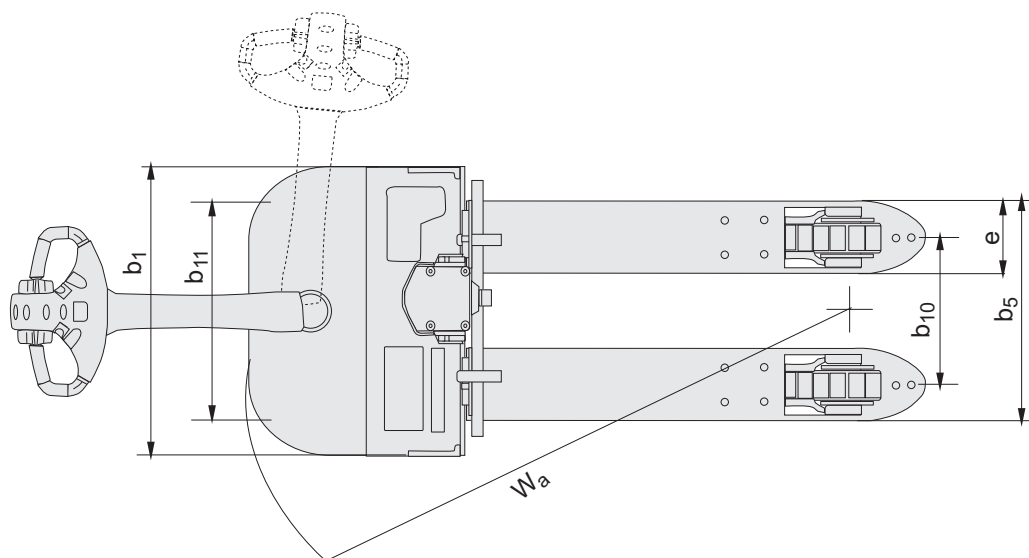
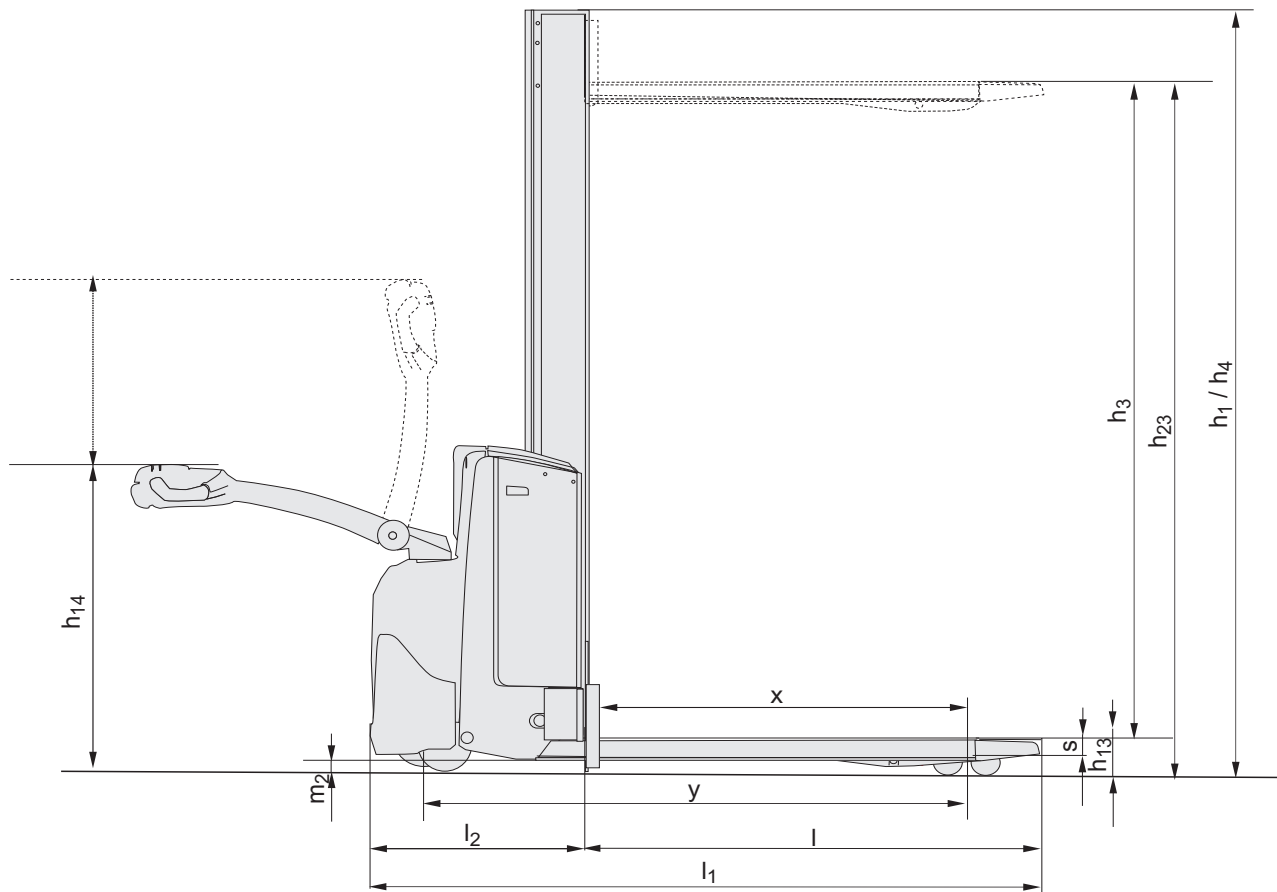
*) Further alternatives are available and will produce other values.

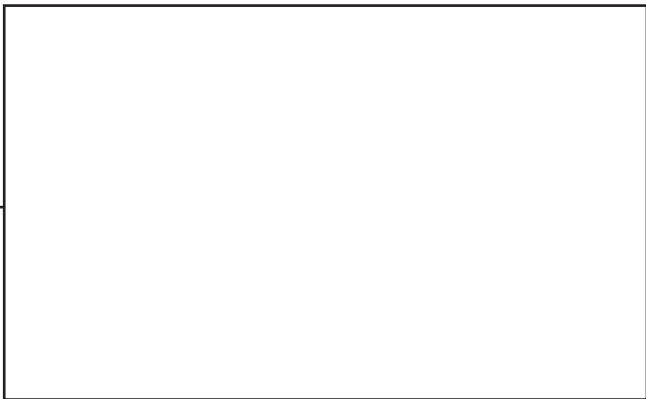
Data is based on standard configurations: h₂₃ = 1580 mm Mono mast.

Truck performance and dimensions are nominal and subject to tolerances.
BT Products AB products and specifications are subject to change without notice.

Mast dimensions

SWE080L			Mono	
h_{23}	Lift height ($h_{13}+h_3$)	mm	600	1580
h_3	Lift	mm	510	1490
h_1	Height, mast lowered	mm	908	1863
h_2	Free lift, ground to top of forks	mm	600	1580
h_4	Height, mast extended	mm	908	1863





ITS, Sweden — 746893-040, 0808

TOYOTA MATERIAL HANDLING IN EUROPE, MANAGING THE TOYOTA AND BT MATERIALS HANDLING BRANDS IN EUROPE.

TOYOTA

MATERIAL HANDLING

stronger together