

BT Staxio

SWE120L
SWE140L



Pedestrian Stacker with elevating support arms

BT Staxio

Specification for stacker trucks					SWE120L	SWE140L
Identification	1.1	Manufacturer			BT	BT
	1.2	Model			SWE120L	SWE140L
	1.3	Drive			Electric	Electric
	1.4	Operator type			Pedestrian	Pedestrian
	1.5	Load capacity/rated load	Q	kg	1200	1400
		Support arm capacity/fork and support arm capacity	Q	kg	1600/—	1600/—
	1.6	Load centre	c	mm	600	600
	1.8	Load distance, centre of support arm wheel to face of forks	x	mm	672	672
	1.9	Wheelbase	y	mm	1282	1282
Weight	2.1	Service weight including battery		kg	929	929
	2.2	Axle load, with load, drive/castor/support arm wheel		kg	450/340/1345	450/360/1525
	2.3	Axle load, without load, drive/castor/support arm wheel		kg	450/220/265	450/220/265
Wheels	3.1	Drive/castor/fork wheel			Powerfriction/Vulkollan/Vulkollan *)	
	3.2	Wheel size, front		mm	Ø85x74	Ø85x74
	3.3	Wheel size, rear		mm	Ø230x70	Ø230x70
	3.4	Additional wheels (dimensions)		mm	Ø125x50	Ø125x50
	3.5	Wheels, number front/rear (x=driven wheels)			4/1x+2	4/1x+2
	3.6	Track width, front	b ₁₀	mm	390	390
	3.7	Track width, rear	b ₁₁	mm	550	550
Dimensions	4.2	Height, mast lowered	h ₁	mm	2135 *)	2160 *)
	4.3	Free lift	h ₂	mm	166 *)	166 *)
	4.4	Lift	h ₃	mm	3210 *)	3165 *)
		Lift height	h ₂₃	mm	3300 *)	3255 *)
	4.5	Height, mast extended	h ₄	mm	3720 *)	3725 *)
	4.6	Initial lift	h ₅	mm	120	120
	4.9	Height of tiller in drive position, min./max.	h ₁₄	mm	865/1235	865/1235
	4.15	Height, fork lowered	h ₁₃	mm	90	90
	4.19	Overall length	l ₁	mm	1910	1910
	4.20	Length to face of forks	l ₂	mm	760	760
	4.21	Overall width	b ₁	mm	770	770 *)
	4.22	Fork dimensions	s/e/l	mm	60/180/1150 *)	70/180/1150 *)
	4.24	Fork-carriage width	b ₃	mm	674	674
	4.25	Width over forks	b ₅	mm	570 *)	570 *)
	4.31	Ground clearance, with load, below mast	m ₁	mm	22	22
	4.32	Ground clearance, centre of wheelbase	m ₂	mm	22	22
	4.33	Aisle width for pallets 1000x1200 crossways	A _{st}	mm	2405	2405
4.34	Aisle width for pallets 800x1200 lengthways	A _{st}	mm	2300	2300	
4.35	Turning radius	W _a	mm	1438	1438	
Performance data	5.1	Travel speed, with/without load		km/h	6/6	6/6
	5.2	Lift speed, with/without load		m/s	0.12/0.25	0.11/0.25
	5.3	Lowering speed, with/without load		m/s	0.39/0.28	0.38/0.28
	5.8	Max. gradeability, with/without load		%	9/12 ¹⁾	8/12 ¹⁾
	5.10	Service brake			Electromagnetic	Electromagnetic
Electric motor	6.1	Drive motor rating S2 60 min		kW	1.5	1.5
	6.2	Lift motor rating at S3 15%		kW	2.2 ²⁾	2.2 ²⁾
	6.4	Battery voltage/nominal capacity K _s		V/Ah	24/225 *)	24/225 *)
	6.5	Battery weight		kg	214 *)	214 *)
Others	8.1	Type of drive control			BT Powerdrive	BT Powerdrive

¹⁾ Measured according to company standard

²⁾ S3 6%

*) Further alternatives are available and will produce other values.

Data is based on standard configurations: Medium battery compartment, h₂₃ = 3300 mm (SWE120L) and 3255 mm (SWE140L) Duplex Tele Panoramic View mast.

Truck performance and dimensions are nominal and subject to tolerances. BT Products AB products and specifications are subject to change without notice.

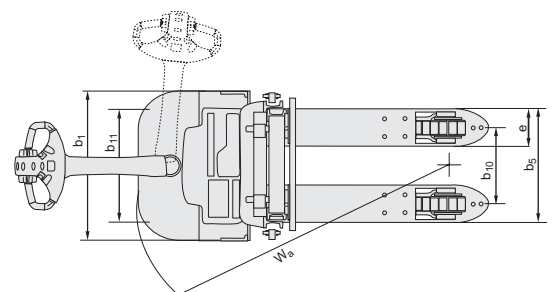
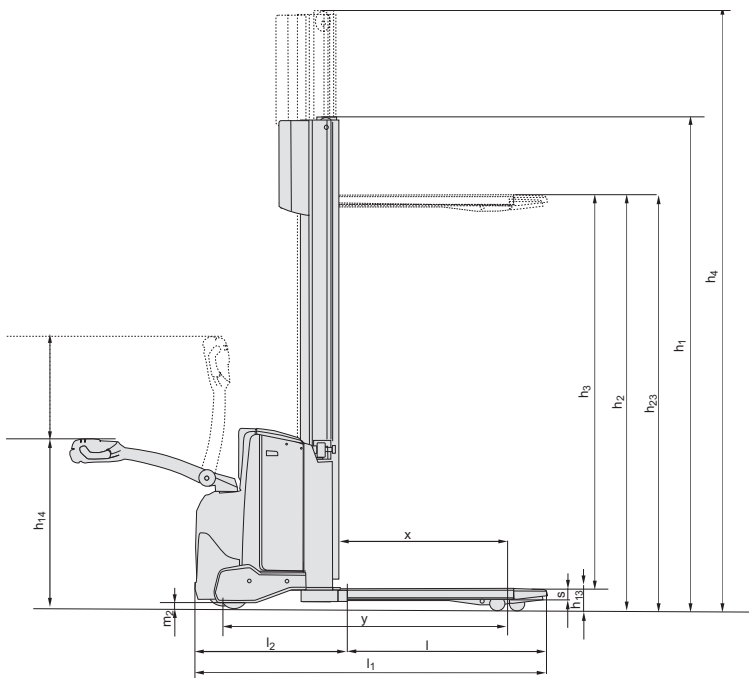
Battery dependent dimensions

Dimensions		Battery change		SWE120L			SWE140L		
				Lift out		Sideways	Lift out		Sideways
		Battery compartment		Medium	Large	Large	Medium	Large	Large
1.9	Wheelbase	y	mm	1282	1332	1332	1282	1332	1332
4.19	Overall length	l_1	mm	1910	1960	1960	1910	1960	1960
4.20	Length to face of forks	l_2	mm	760	810	810	760	810	810
4.33	Aisle width for pallets 1000x1200 crossways	A_{st}	mm	2405	2455	2455	2405	2455	2455
4.34	Aisle width for pallets 800x1200 lengthways	A_{st}	mm	2300	2350	2350	2300	2350	2350
4.35	Turning radius	W_a	mm	1438	1488	1488	1438	1488	1488
6.4	Battery voltage, nominal capacity K_5		V/Ah	24/225	24/300	24/260	24/225	24/300	24/260
6.5	Battery weight, min.—max.		kg	180—220	220—270	220—230	180—220	220—270	220—230

Mast dimensions

SWE120L			Simplex	Duplex Tele					Dupl. Tele Panoram. View					Duplex HiLo					Triplex HiLo			
h_{23}	Lift height ($h_{13}+h_3$)	mm	1400 1700	2700 2900 3300 3700 4150	2700 2900 3300 3700 4150	2700 2900 3300 3700 4150	2700 2900 3300 3700 4150	2700 2900 3300 3700 4150	2700 2900 3300 3700 4150	2700 2900 3300 3700 4150	2700 2900 3300 3700 4150	2700 2900 3300 3700 4150	2700 2900 3300 3700 4150	2700 2900 3300 3700 4150	2700 2900 3300 3700 4150	3300 3700 4150 4500						
h_3	Lift	mm	1310 1610	2610 2810 3210 3610 4060	2610 2810 3210 3610 4060	2610 2810 3210 3610 4060	2610 2810 3210 3610 4060	2610 2810 3210 3610 4060	2610 2810 3210 3610 4060	2610 2810 3210 3610 4060	2610 2810 3210 3610 4060	2610 2810 3210 3610 4060	2610 2810 3210 3610 4060	2610 2810 3210 3610 4060	2610 2810 3210 3610 4060	3210 3610 4060 4410						
h_1	Height, mast lowered	mm	1825 2125	1851 1951 2151 2351 2576	1835 1935 2135 2335 2560	1835 1935 2135 2335 2560	1835 1935 2135 2335 2560	1835 1935 2135 2335 2560	1835 1935 2135 2335 2560	1835 1935 2135 2335 2560	1835 1935 2135 2335 2560	1835 1935 2135 2335 2560	1835 1935 2135 2335 2560	1835 1935 2135 2335 2560	1695 1829 1979 2095							
h_2	Free lift, ground to top of forks	mm	1400 1700	166 166 166 166 166	166 166 166 166 166	166 166 166 166 166	166 166 166 166 166	166 166 166 166 166	166 166 166 166 166	166 166 166 166 166	166 166 166 166 166	166 166 166 166 166	166 166 166 166 166	166 166 166 166 166	1452 1552 1752 1952 2177	1301 1435 1585 1701						
h_4	Height, mast extended	mm	1825 2125	3136 3336 3736 4136 4586	3120 3320 3720 4120 4570	3120 3320 3720 4120 4570	3120 3320 3720 4120 4570	3120 3320 3720 4120 4570	3120 3320 3720 4120 4570	3120 3320 3720 4120 4570	3120 3320 3720 4120 4570	3120 3320 3720 4120 4570	3120 3320 3720 4120 4570	3120 3320 3720 4120 4570	3141 3341 3741 4141 4591	3747 4149 4599 4947						

SWE140L			Duplex Tele Panoramic View					Duplex HiLo					Triplex HiLo				
h_{23}	Lift height ($h_{13}+h_3$)	mm	2655 2855 3255 3655 4105	2655 2855 3255 3655 4105	2655 2855 3255 3655 4105	2655 2855 3255 3655 4105	2655 2855 3255 3655 4105	2655 2855 3255 3655 4105	2655 2855 3255 3655 4105	2655 2855 3255 3655 4105	2655 2855 3255 3655 4105	2655 2855 3255 3655 4105	2655 2855 3255 3655 4105	2655 2855 3255 3655 4105	2655 2855 3255 3655 4105	3255 3655 4105 4455 4755	
h_3	Lift	mm	2565 2765 3165 3565 4015	2565 2765 3165 3565 4015	2565 2765 3165 3565 4015	2565 2765 3165 3565 4015	2565 2765 3165 3565 4015	2565 2765 3165 3565 4015	2565 2765 3165 3565 4015	2565 2765 3165 3565 4015	2565 2765 3165 3565 4015	2565 2765 3165 3565 4015	2565 2765 3165 3565 4015	2565 2765 3165 3565 4015	2565 2765 3165 3565 4015	3165 3565 4015 4365 4665	
h_1	Height, mast lowered	mm	1860 1960 2160 2360 2585	1835 1935 2135 2335 2560	1835 1935 2135 2335 2560	1835 1935 2135 2335 2560	1835 1935 2135 2335 2560	1835 1935 2135 2335 2560	1835 1935 2135 2335 2560	1835 1935 2135 2335 2560	1835 1935 2135 2335 2560	1835 1935 2135 2335 2560	1835 1935 2135 2335 2560	1835 1935 2135 2335 2560	1695 1829 1979 2095 2195		
h_2	Free lift, ground to top of forks	mm	166 166 166 166 166	1407 1507 1707 1907 2132	1407 1507 1707 1907 2132	1407 1507 1707 1907 2132	1407 1507 1707 1907 2132	1407 1507 1707 1907 2132	1407 1507 1707 1907 2132	1407 1507 1707 1907 2132	1407 1507 1707 1907 2132	1407 1507 1707 1907 2132	1407 1507 1707 1907 2132	1407 1507 1707 1907 2132	1256 1390 1540 1656 1756		
h_4	Height, mast extended	mm	3125 3325 3725 4125 4575	3141 3341 3741 4141 4591	3141 3341 3741 4141 4591	3141 3341 3741 4141 4591	3141 3341 3741 4141 4591	3141 3341 3741 4141 4591	3141 3341 3741 4141 4591	3141 3341 3741 4141 4591	3141 3341 3741 4141 4591	3141 3341 3741 4141 4591	3141 3341 3741 4141 4591	3141 3341 3741 4141 4591	3747 4149 4599 4947 5247		



TOYOTA

MATERIAL HANDLING

stronger together



ITS, Sweden — 746897-040, 0808

TOYOTA MATERIAL HANDLING IN EUROPE, MANAGING THE TOYOTA AND BT MATERIALS HANDLING BRANDS IN EUROPE.

TOYOTA

MATERIAL HANDLING
stronger together