

BT Staxio

SWE200D



TOYOTA

MATERIAL HANDLING

stronger together

Pedestrian Stacker double stacking

BT Staxio

Specification for stacker trucks						SWE200D	
Identification	1.1	Manufacturer				BT	
	1.2	Model				SWE200D	
	1.3	Drive				Electric	
	1.4	Operator type				Pedestrian	
	1.5	Load capacity/rated load	Q	kg		1000	
		Support arm capacity/fork and support arm capacity	Q	kg		2000/800+1200	
	1.6	Load centre	c	mm		600	
	1.8	Load distance, centre of support arm wheel to face of forks	x	mm		873	
	1.9	Wheelbase	y	mm		1483	
Weight	2.1	Service weight including battery		kg		879	
	2.2	Axle load, with load, drive/castor/support arm wheel		kg		570/360/1155	
	2.3	Axle load, without load, drive/castor/support arm wheel		kg		570/100/215	
Wheels	3.1	Drive/castor/support arm wheel				Powerfriction/Vulkollan/Vulkollan	
	3.2	Wheel size, front		mm		Ø85x74	
	3.3	Wheel size, rear		mm		Ø230x70	
	3.4	Additional wheels (dimensions)		mm		Ø125x50	
	3.5	Wheels, number front/rear (x=driven wheels)				4/1x+2	
	3.6	Track width, front	b ₁₀	mm		390	
	3.7	Track width, rear	b ₁₁	mm		550	
Dimensions	4.2	Height, mast lowered	h ₁	mm		1535 *)	
	4.3	Free lift	h ₂	mm		166 *)	
	4.4	Lift	h ₃	mm		2010 *)	
		Lift height	h ₂₃	mm		2100 *)	
	4.5	Height, mast extended	h ₄	mm		2520 *)	
	4.6	Initial lift	h ₅	mm		120	
	4.9	Height of tiller in drive position, min./max.	h ₁₄	mm		865/1235	
	4.15	Height, fork lowered	h ₁₃	mm		90	
	4.19	Overall length	l ₁	mm		1910	
	4.20	Length to face of forks	l ₂	mm		760	
	4.21	Overall width	b ₁	mm		770	
	4.22	Fork dimensions	s/e/l	mm		60/180/1150 *)	
	4.24	Fork-carriage width	b ₃	mm		674	
	4.25	Width over forks	b ₅	mm		570 *)	
	Performance data	5.1	Travel speed, with/without load		km/h		6/6
5.2		Lift speed, with/without load		m/s		0.12/0.25	
5.3		Lowering speed, with/without load		m/s		0.39/0.28	
5.10		Service brake				Electromagnetic	
Electric motor		6.1	Drive motor rating S2 60 min		kW		1.5
		6.2	Lift motor rating at S3 15%		kW		2.2 ²⁾
		6.4	Battery voltage/nominal capacity K _s		V/Ah		24/225 *)
		6.5	Battery weight		kg		214 *)
Others	8.1	Type of drive control				BT Powerdrive	

¹⁾ Measured according to company standard

²⁾ S3 6%

*) Further alternatives are available and will produce other values.

Data is based on standard configurations: h₂₃ = 2100 mm Duplex Tele Panoramic View mast.

Truck performance and dimensions are nominal and subject to tolerances.

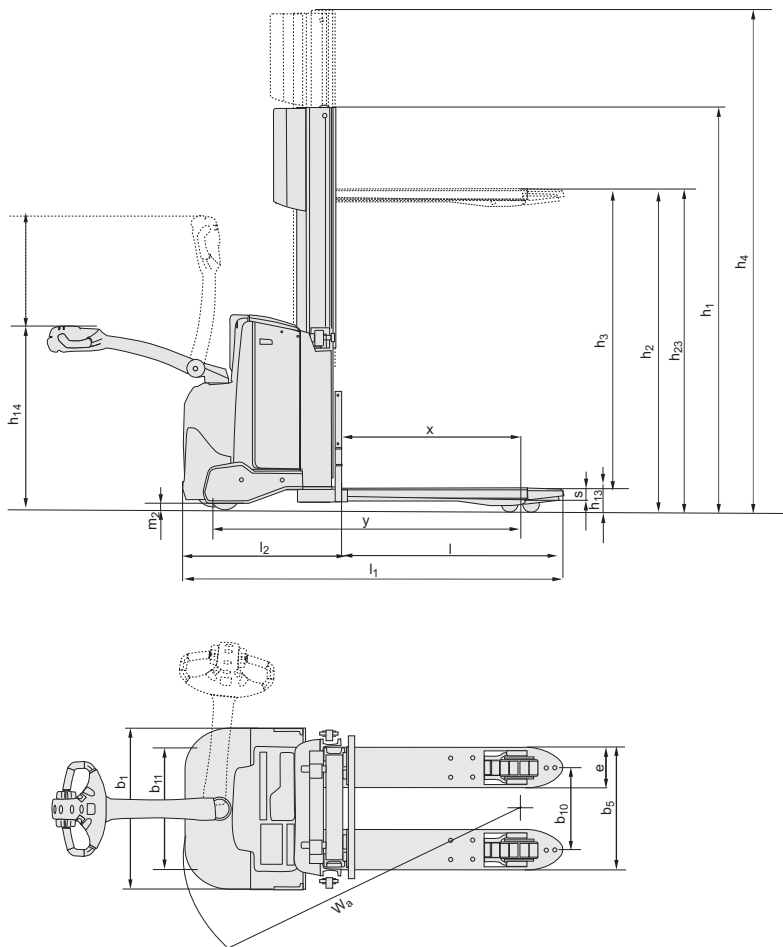
BT Products AB products and specifications are subject to change without notice.

Battery dependent dimensions

Dimensions		Battery change		SWE200D		
				Lift out		Sideways
		Battery compartment		Medium	Large	Large
1.9	Wheelbase	y	mm	1483	1533	1533
4.19	Overall length	l_1	mm	1910	1960	1960
4.20	Length to face of forks	l_2	mm	760	810	810
4.33	Aisle width for pallets 1000x1200 crossways	A_{st}	mm	2500	2550	2550
4.34	Aisle width for pallets 800x1200 lengthways	A_{st}	mm	2356	2406	2406
4.35	Turning radius	W_a	mm	1639	1689	1689
6.4	Battery voltage, nominal capacity K_5		V/Ah	24/225	24/300	24/260
6.5	Battery weight, min.—max.		kg	180—220	220—270	220—230

Mast dimensions

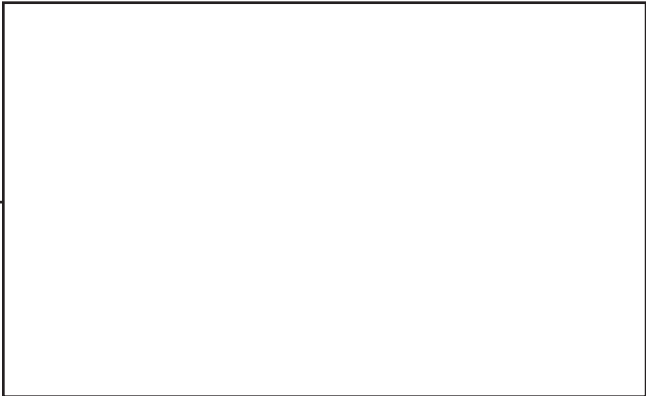
SWE200D			Duplex Tele			Dupl. Tele Panoram. View		
h_{23}	Lift height ($h_{13}+h_3$)	mm	1700	1900	2100	1700	1900	2100
h_3	Lift	mm	1610	1810	2010	1610	1810	2010
h_1	Height, mast lowered	mm	1351	1451	1551	1335	1435	1535
h_2	Free lift, ground to top of forks	mm	166	166	166	166	166	166
h_4	Height, mast extended	mm	2136	2336	2536	2120	2320	2520



TOYOTA

MATERIAL HANDLING

stronger together



ITS, Sweden — 746898-040, 0808

TOYOTA MATERIAL HANDLING IN EUROPE, MANAGING THE TOYOTA AND BT MATERIALS HANDLING BRANDS IN EUROPE.

TOYOTA

MATERIAL HANDLING

stronger together